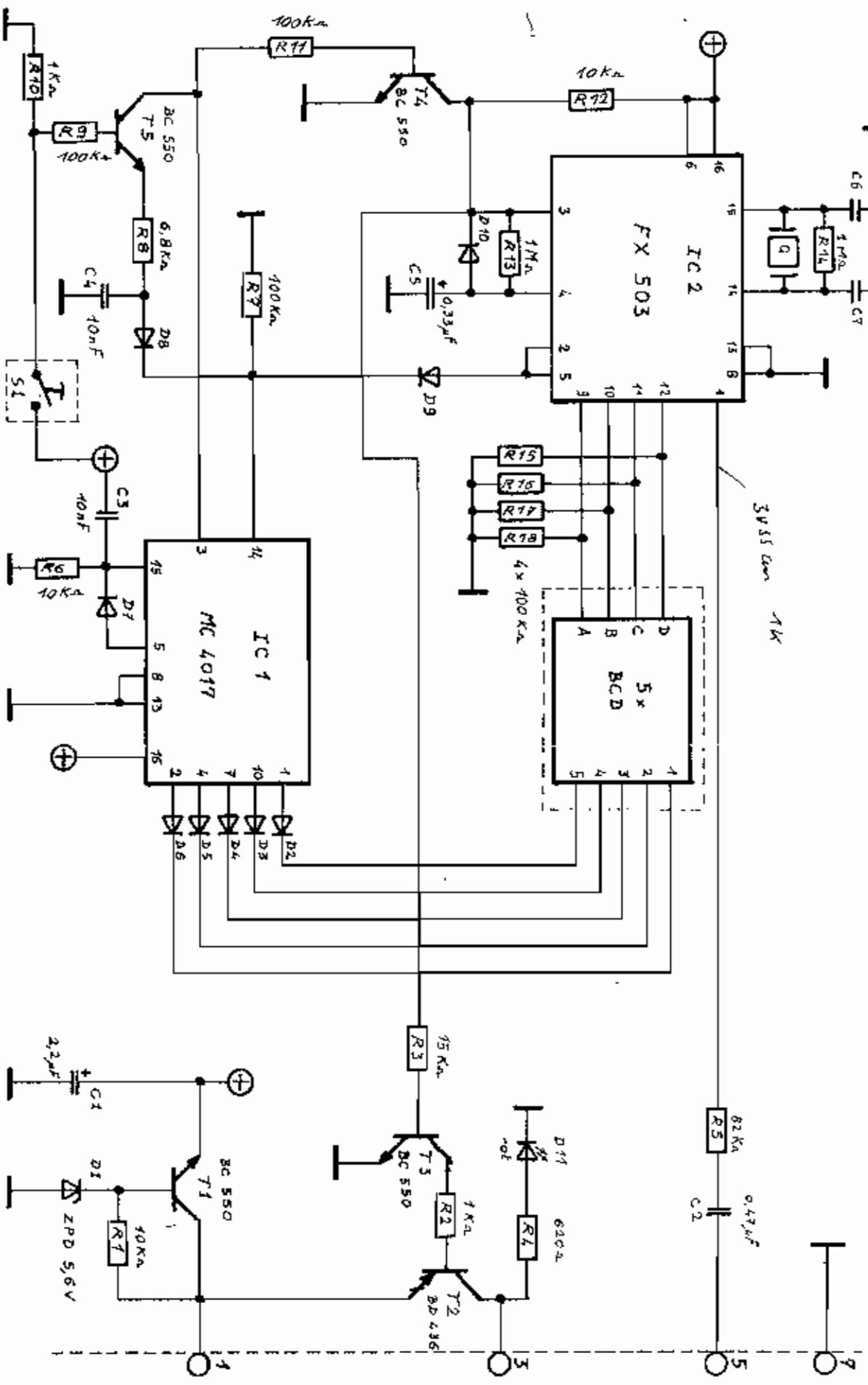
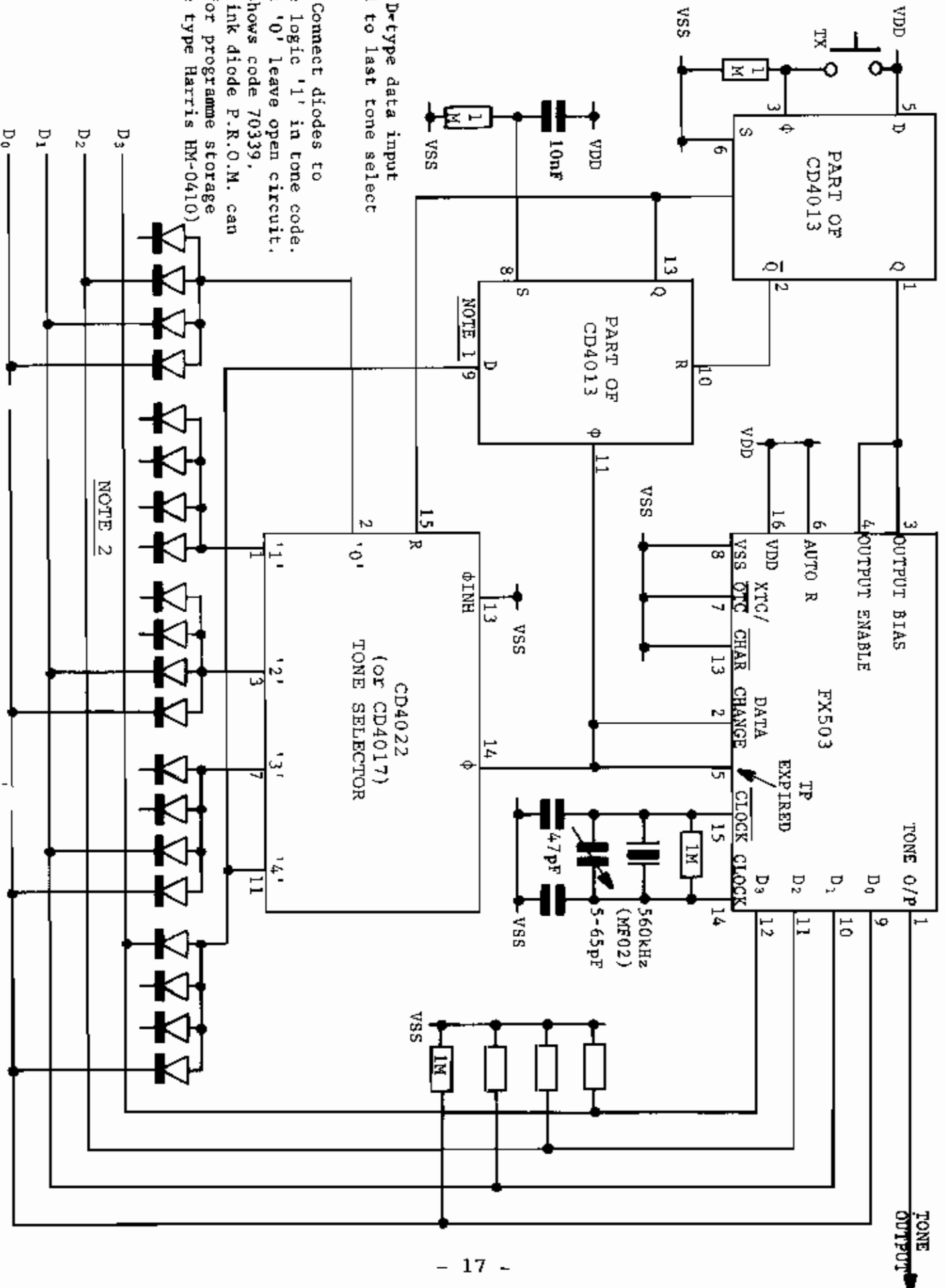


PX 35 - SG 5      5 - Ton - Geber



FX503 CONNECTED TO TRANSMIT A FIXED 5-TONE SEQUENCE



NOTE 1 D-type data input connected to last tone select output.

NOTE 2 Connect diodes to programme logic '1' in tone code. For logic '0' leave open circuit. Example shows code 70339. Fusible link diode P.R.O.M. can be used for programme storage (suitable type Harris HM-0410)

NOTE 2