

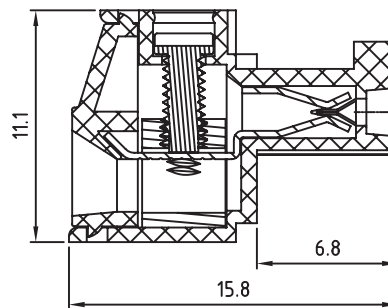
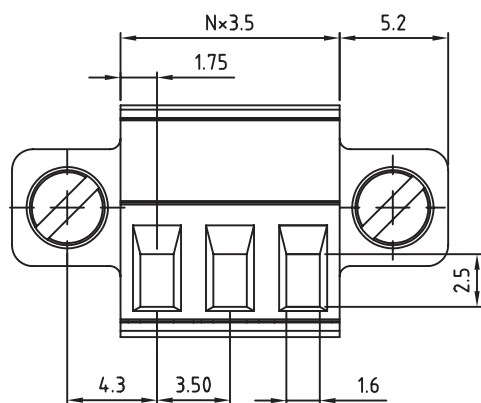
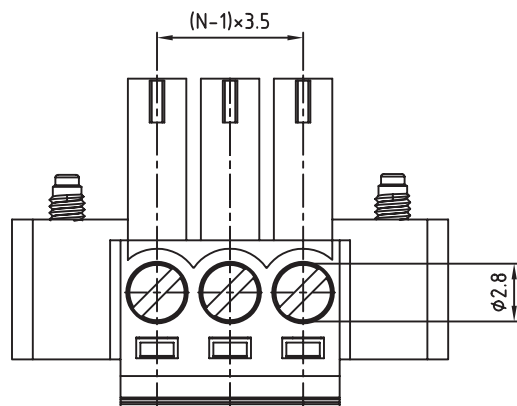
1

2

3

4

5



N=Number of contacts

#### TECHNICAL CHARACTERISTICS

**MATERIAL**  
 INSULATOR: PA 66  
 FLAMABILITY RATING: UL94-V0  
 COLOR: GREEN  
 METAL HOUSING: BRASS (CuZn)  
 TERMINAL SCREW: STEEL ZINC PLATING  
 TERMINAL SCREW SLOT TYPE: "-"  
 WIRE GUARD: PhBz TIN PLATED  
 FLANGES SCREW: STEEL M2.5

**ENVIRONMENTAL**  
 OPERATING TEMPERATURE: -40 UP TO 105°C  
 COMPLIANCE: LEAD FREE AND ROHS

| ELECTRICAL            | cULus       | VDE    |
|-----------------------|-------------|--------|
| CURRENT RATING:       | 10A         | 10.5A  |
| WORKING VOLTAGE:      | 300VAC      | 300VAC |
| WITHSTANDING VOLTAGE: | 1.6KV       | 2.5KV  |
| CONTACT RESISTANCE: □ | 20 mOhm max |        |

| MECHANICAL     |                                     |
|----------------|-------------------------------------|
| SOLID WIRE:    | 26-16 AWG / 0.13-1.5MM <sup>2</sup> |
| STRANDED WIRE: | 26-16 AWG / 0.13-1.5MM <sup>2</sup> |
| TORQUE: □ □    | 3.0Lb-In / 0.34Nm                   |

WIRE STRIPE LENGTH: 6-7MM  
 SCREW: M2.0  
 PITCH: 3.5MM

PACKAGING: BOX

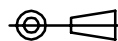
SERIE 3641

CERTIFICATION



RoHS Compliant

PROJECTION:



GENERAL TOLERANCE

.X =  $\pm 0.2$

.XX =  $\pm 0.15$



APPROVAL: RJ

UNIT: MM

SCALE:

SHEET: 1/1

DRAW: MARVIN

DESCRIPTION: SERIE 3641 - 3.50MM VERTICAL CABLE ENTRY PLUG WITH FLANGES -1.5MM<sup>2</sup> WIRES WR-TBL

WERI PART NO: 691 364 100 0xx

SIZE

**A4**

| REV | DATE        | FILE    | BY |
|-----|-------------|---------|----|
| A □ | 31-OCT-08 □ | PDF □ □ | JP |